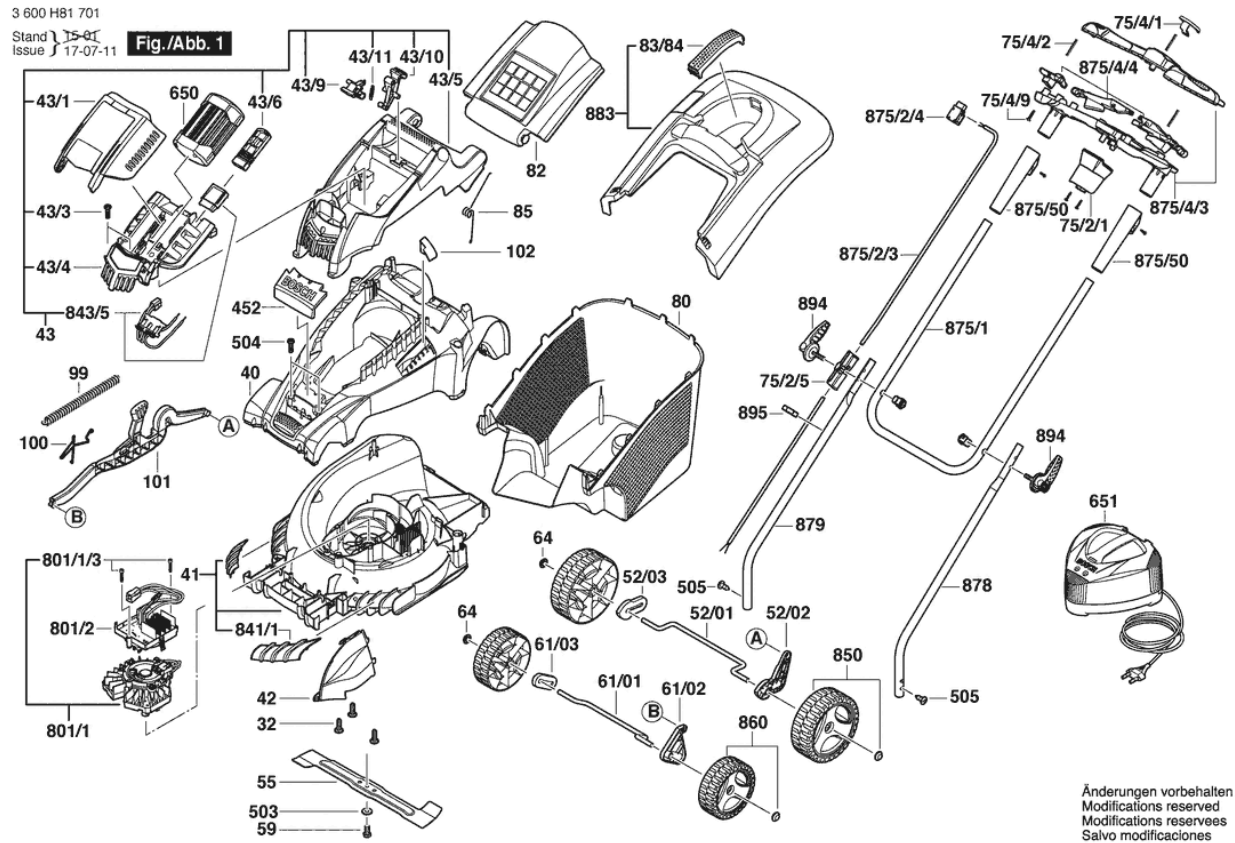


Illustration - Type - E



Spare parts list

Item	Part Number	Description	Illustration
32	F 016 L66 162	Screw	1
40	F 016 L66 158	Mower deck	1
41	F 016 L66 003	Housing	1
42	F 016 L66 039	Cover Panel	1
43	F 016 L67 439	Motor Hood	1
43/10	F 016 L65 988	Locking Device	1
43/1	F 016 L67 438	Battery Cover	1
43/11	F 016 L66 108	Spring	1
43/3	F 016 T49 429	Self-Cutting Screw 4X19 MM	1
43/4	F 016 L65 952	Battery Tray	1
43/5	F 016 L66 779	Motor Hood	1
43/6	F 016 L66 669	Insulator	1
43/9	F 016 L66 107	Release Lever	1
52/01	F 016 L66 465	Axle	1
52/02	F 016 L90 582	Lever	1
52/03	F 016 L90 583	Spacer	1
55	F 016 L66 005	Cutter Blade	1
59	F 016 L66 141	Bolt M10X30	1
61/01	F 016 L66 464	Axle	1
61/02	F 016 L90 581	Lever	1
61/03	F 016 L90 585	Spacer	1
64	F 016 F05 700	Ratchet Cap	1
75/2/1	F 016 L67 218	Connector Housing	1
75/2/5	F 016 104 213	Cable Guide	1
75/4/1	F 016 L67 150	Push-Button	1
75/4/2	F 016 L67 151	Button Spring	1
80	F 016 L65 674	Collector Box Bottom BLACK	1
82	F 016 L66 137	Guard Flap	1
83/84	F 016 L66 441	Handle BLACK	1
85	F 016 L66 165	Spring	1
99	F 016 L59 327	Spring	1
100	F 016 L65 790	Spring	1
101	F 016 L67 260	Linkage part	1
102	F 016 L66 111	Restrictor	1
452	F 016 L66 286	Company Logo ROTAK 37 LI	1

Spare parts list

Item	Part Number	Description	Illustration
503	F 016 L66 173	Spring Washer 1/2"	1
505	F 016 L65 803	Screw	1
650	2 607 336 006	Battery Pack 36V, 4,5AH, LI	1
651	2 607 226 457	Charger EU GAL 3680 CV 230/14,4-36V	1
801/1	F 016 104 031	DC motor	1
801/1/3	F 016 L66 662	Screw M4X35 für Metall Deckel	1
801/1/3	F 016 L69 251	Pan head screw 4X35 für Kunststoff Deckel	1
801/2	F 016 104 888	Printed-Board Assembly	1
841/1	F 016 104 316	Cover	1
843/5	F 016 104 244	Wiring Harness	1
850	F 016 103 992	Wheel	1
860	F 016 103 994	Wheel	1
875/1	F 016 L90 608	Handle	1
875/2/3	F 016 104 165	Connecting Cable	1
875/2/4	F 016 104 163	Switch Kit	1
875/4/3	F 016 104 159	Housing Set	1
875/4/4	F 016 104 160	Switch Segment	1
875/50	F 016 104 161	Sleeve	1
878	F 016 L67 209	bottom handle	1
879	F 016 L67 210	bottom handle	1
883	F 016 103 608	Cover	1
894	F 016 L67 530	Clamping Lever	1
895	F 016 L66 895	Cable Clip ROTAK II	1